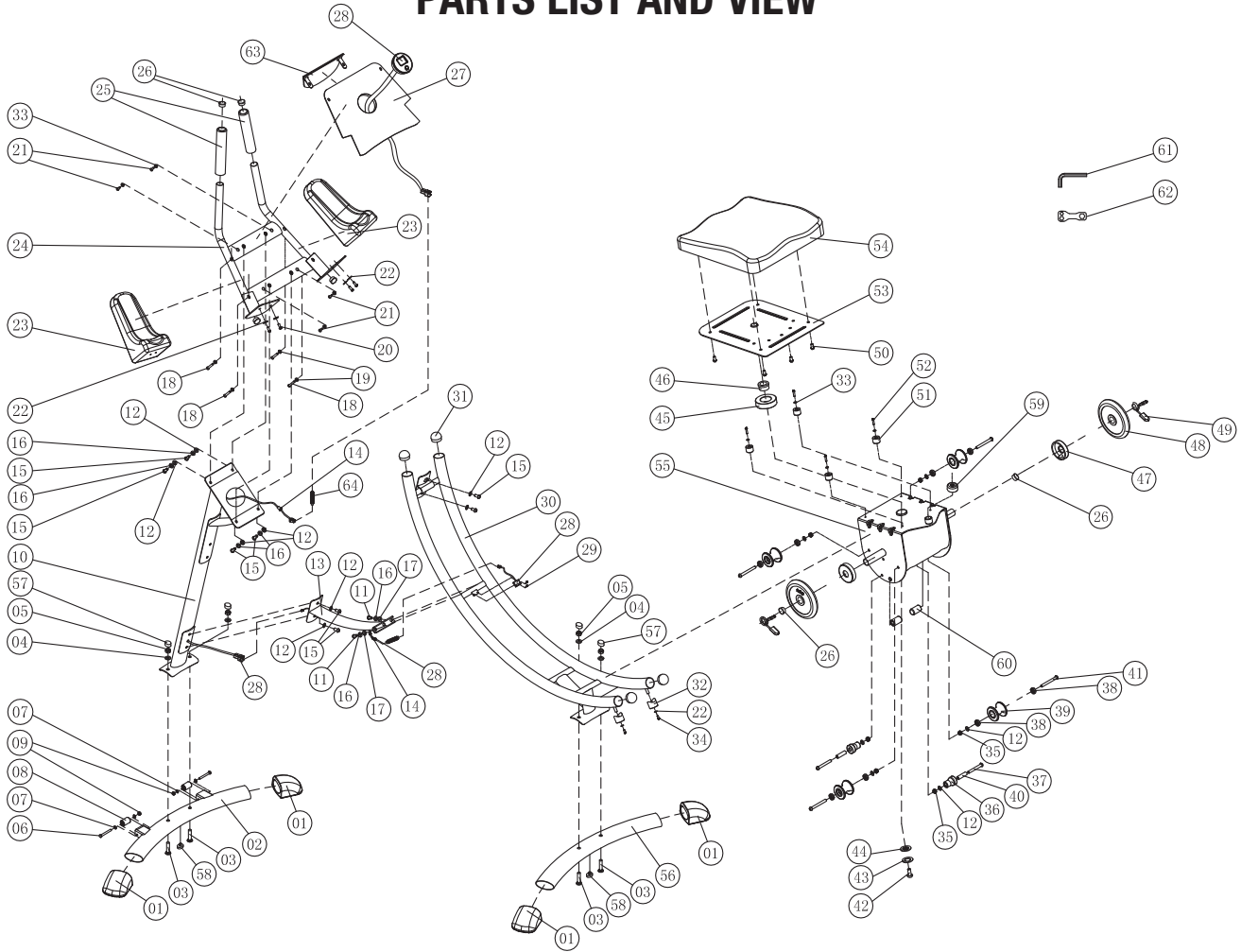


PARTS LIST AND VIEW



NO.	Part Name	Specification	QTY (PCS)	NO.	Part Name	Specification	QTY (PCS)	NO.	Part Name	Specification	QTY (PCS)
01	foot grip match	70*35*1.5 elliptical tubing	4	23	arm cushion		2	45	nylon bushing	ø70*ø40*20	1
02	front leg		1	24	handlebar frame		1	46	ø38 nylon sleeve	ø38*ø25*19	2
03	M10*45 screw	M10*45(15mm thread)	4	25	handlebar grip	ø29*ø23*220	2	47	weight post collar	ø70*12	2
04	R71 arc washer	ø25*d10*2.0_R71	4	26	circular piston match	ø25.4*1.5 tubing	6	48	weight plate	2.5KG/pcs, ø26.5	4
05	M10 nut	M10	4	27	arm plate	337*267*_24	1	49	weight plate clip	ø25.4*1.5__	2
06	M6*50 flanged-hex screw	M6*50(15mm thread)	2	28	counter including sensor, magnet, and ø76 wire		1set	50	M8*15 hex screw	M8*15	4
07	ø13 flat washer	ø13*d6*1.2	4	29	ST2.9*8 self-drilling phillips screw	ST2.9*8	2	51	seat swivel bushings	ø25*20	4
08	front leg wheel	ø20*ø7*25	2	30	ab coaster track		1	52	M5*20 phillips screw	M5*20	4
09	m6 nut	M6	2	31	ball piston match	ø38*1.5 tubing	4	53	seat plate		1
10	front support post		1	32	bumper	ø32*26.5	2	54	seat cushion		1
11	M8*20 lock hex screw	M8*20	2	33	ø10 flat washer	ø10*d5*1.0	8	55	U shape seat carriage		1
12	ø16 flat washer	ø16*d8*1.5	14	34	M5*10 phillips screw	M5*10	2	56	rear leg	70*35*1.5	1
13	front support brace		1	35	M8 nut	M8	6	57	M10 nut cover	S17	4
14	wire clip	ø15*12	2	36	spacing wheel	ø32*42	2	58	leg support pad	ø25*10	2
15	M8*20 hex screw	M8*20	8	37	M8*55 hex screw	M8*55(15mm thread)	2	59	muffler	ø28*13	1
16	ø8 spring washer	ø8	6	38	bearing	608ZZ_ABEC-5	8	60	seat swivel bushing	ø23*37	2
17	R12.5 ø16 arc washer	ø16*d8*1.5, R12.5	2	39	roller wheel	ø54*48	4	61	tool	A S5	1
18	M6*40 hex screw	M6*40	4	40	spacing wheel bushing	12*1.5*44	2	62	tool	B S10/S13/S17	1
19	R12.7 ø16 arc washer	ø16*d6*1.2_R12.7	4	41	M8*75 hex screw	M8*75_15mm thread)	4	63	front logo plate		1
20	M6*15 screw	M6*15	4	42	M10*25 hex screw	M10*25	1	64	wire protection cover	ø14.2*90*0.8	2
21	ST4.8*15 self-drilling phillips screw	ST4.8*15	4	43	ø10 spring washer	ø10	1				
22	ø18 flat washer	ø18*d6*1.2	6	44	lifted washer	ø38*ø10.5*2	1				