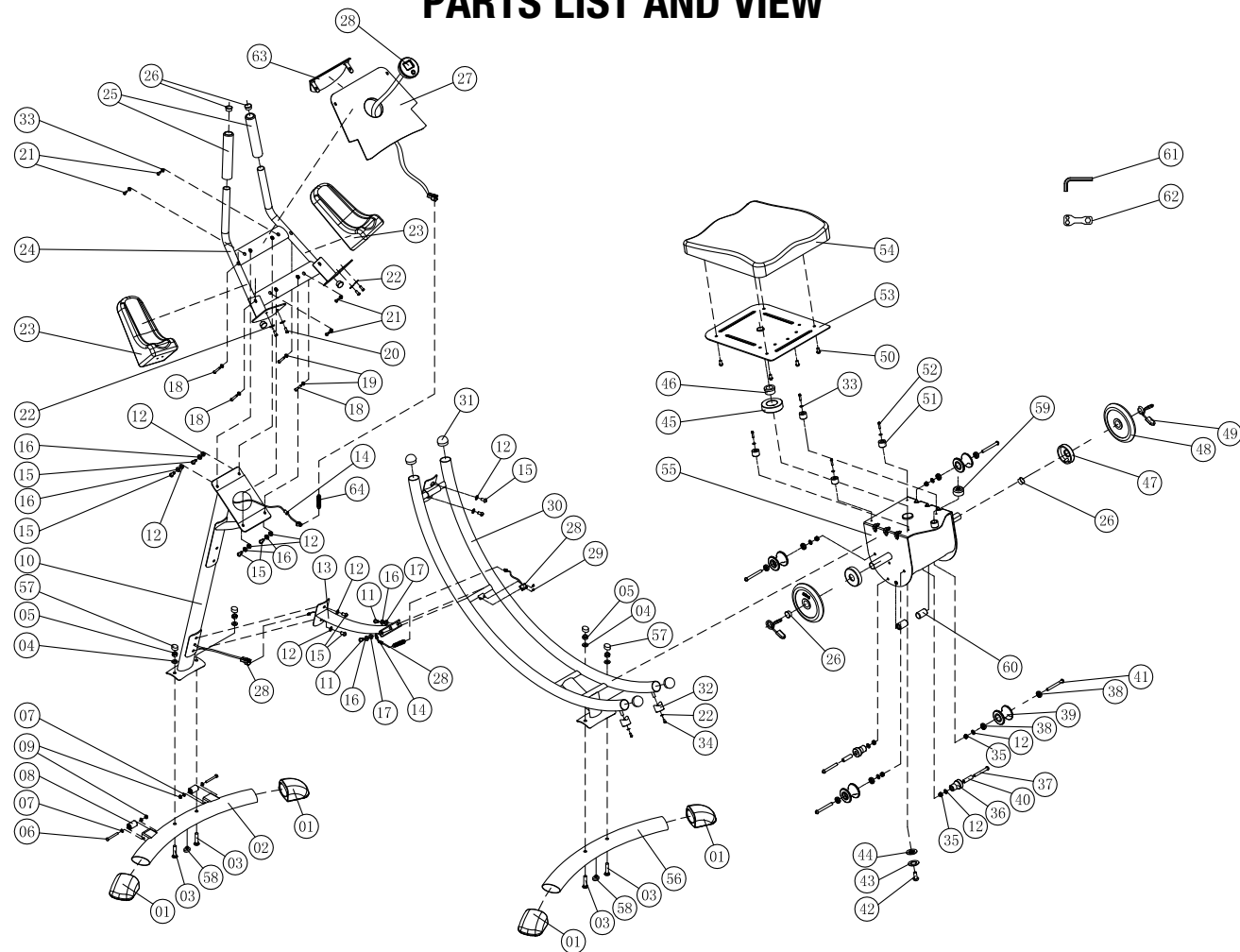


PARTS LIST AND VIEW



NO.	Part Name	Specification	QTY (PCS)	NO.	Part Name	Specification	QTY (PCS)	NO.	Part Name	Specification	QTY (PCS)
01	foot grip match	70*35*1.5 elliptical tubing	4	23	arm cushion		2	45	nylon bushing	ø70*ø40*20	1
02	front leg		1	24	handlebar frame		1	46	ø38 nylon sleeve	ø38*ø25*19	2
03	M10*45 screw	M10*45(15mm thread)	4	25	handlebar grip	ø29*ø23*220	2	47	weight post collar	ø70*12	2
04	R71 arc washer	ø25*d10*2.0_R71	4	26	circular piston match	ø25.4*1.5 tubing	6	48	weight plate	2.5KG/pcs, ø26.5	4
05	M10 nut	M10	4	27	arm plate	337*267*_24	1	49	weight plate clip	ø25.4*1.5_	2
06	M6*50 flanged-hex screw	M6*50(15mm thread)	2	28	counter including sensor, magnet, and ø76 wire		1set	50	M8*15 hex screw	M8*15	4
07	ø13 flat washer	ø13*d6*1.2	4	29	ST2.9*8 self-drilling phillips screw	ST2.9*8	2	51	seat swivel bushings	ø25*20	4
08	front leg wheel	ø20*ø7*25	2	30	ab coaster track		1	52	M5*20 phillips screw	M5*20	4
09	m6 nut	M6	2	31	ball piston match	ø38*1.5 tubing	4	53	seat plate		1
10	front support post		1	32	bumper	ø32*26.5	2	54	seat cushion		1
11	M8*20 lock hex screw	M8*20	2	33	ø10 flat washer	ø10*d5*1.0	8	55	U shape seat carriage		1
12	ø16 flat washer	ø16*d8*1.5	14	34	M5*10 phillips screw	M5*10	2	56	rear leg	70*35*1.5	1
13	front support brace		1	35	M8 nut	M8	6	57	M10 nut cover	S17	4
14	wire clip	ø15*12	2	36	spacing wheel	ø32*42	2	58	leg support pad	ø25*10	2
15	M8*20 hex screw	M8*20	8	37	M8*55 hex screw	M8*55(15mm thread)	2	59	muffler	ø28*13	1
16	ø8 spring washer	ø8	6	38	bearing	608ZZ_ABEC-5	8	60	seat swivel bushing	ø23*37	2
17	R12.5 ø16 arc washer	ø16*d8*1.5, R12.5	2	39	roller wheel	ø54*48	4	61	tool	A S5	1
18	M6*40 hex screw	M6*40	4	40	spacing wheel bushing	12*1.5*44	2	62	tool	B S10/S13/S17	1
19	R12.7 ø16 arc washer	ø16*d6*1.2_R12.7	4	41	M8*75 hex screw	M8*75_15mm thread)	4	63	front logo plate		1
20	M6*15 screw	M6*15	4	42	M10*25 hex screw	M10*25	1	64	wire protection cover	ø14.2*90*0.8	2
21	ST4.8*15 self-drilling phillips screw	ST4.8*15	4	43	ø10 spring washer	ø10	1				
22	ø18 flat washer	ø18*d6*1.2	6	44	lifted washer	ø38*ø10.5*2	1				

SAFETY LABELS

⚠ CAUTION: PINCH POINT
Keep hands away and stand clear of machine while in use.



⚠ WARNING
SERIOUS INJURY COULD OCCUR IF THESE PRECAUTIONS ARE NOT OBSERVED.
Read the Owner's Manual prior to using this machine.
Obtain a medical exam prior to beginning an exercise program.
Keep head, limbs, fingers and hair clear of all moving parts.
Inspect machine prior to use. Do NOT use if it appears damaged or inoperable.
Use the machine only for intended use.
Use caution getting on and off machine.
Do not allow children near this machine.